

# The Hampton Series

by AMSCO Windows®



Make Your Home a Masterpiece.®

# The Hampton Series

by AMSCO Windows®

## Make Your Home a Masterpiece.®

When it comes to your home, you want to make sure that you have the look and comfort you desire. When it comes to the vinyl windows you select for your home, your limits go far beyond plain white squares. The AMSCO Windows Hampton Series has engineered style and design into a functional vinyl window. The deep beveled edges, sturdy frames, and variety of styles provide the details you crave. Combine that with your pick of our most popular colors, and you'll find your choices in a vinyl window are now anything but dull.

# Styles to Fit Your Design

The Hampton Series offers multiple styles for almost any home design. Whether you live in a spacious multilevel house or a smaller, more quaint style of home, each house is unique in its own way and should have its own character reflected throughout the entire home—including in the design of the windows. To help our customers with an array of options to meet their expectations and desires, the Hampton Series offers multiple styles for almost any home design.



## Single Hung

- Side-load single-hung
- Integral finger pulls on the top and bottom of the sash
- Block-and-tackle balance system
- Available with an integral nail fin or retrofit flush fin



## Double Hung Tilt

- Side-load double-hung
- Integral finger pulls on the top and bottom of the sash
- Block-and-tackle balance system
- Only available in 3 1/4" frame



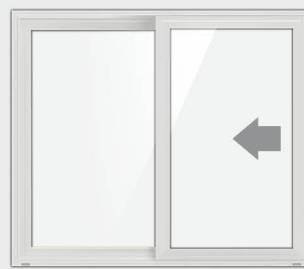
## Casement

- Centered sash for ease of cleaning (excludes egress hardware)
- Unison lock with concealed hardware
- Folding handle
- Color-matched or optional plated hardware
- Available with an integral nail fin or retrofit flush fin



## Picture/ Fixed Windows

- Direct set—allows for the maximum glass viewing area available
- Units available in a retrofit flush fin application
- Equal site line options
- Available with an integral nail fin or retrofit flush fin



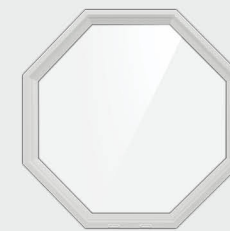
## Horizontal Slider

- Heavy-duty nylon rollers with a stainless steel axle
- Integral finger pulls on vent
- Available with an integral nail fin or retrofit flush fin



## Awning

- Scissor-style hardware for smooth operation
- Two locks with concealed hardware
- Folding handle
- Color-matched or optional plated hardware
- Available with an integral nail fin or retrofit flush fin



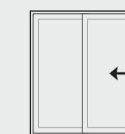
## Specialty Shapes

- Round tops
- Arch tops
- Octagons
- Full circles
- Half circles
- Quarter circles
- Quarter angles
- Trapezoids
- Quarter rectangles
- Eyebrows



## Patio Door

- 2-panel doors (OX or XO)
- 3-panel doors (OOX, XOO or OXO)
- 4-panel doors (OXXO)
- Up to 16-foot-wide and 8-foot-tall configurations
- Available in 10-foot-wide 2-panel configuration (OX or XO)
- Standard nail fin or optional retrofit flush fin
- Stucco key option
- Available with an integral nail fin or retrofit flush fin



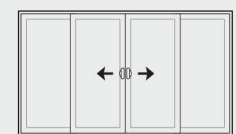
2-PANEL (OX or XO)



3-PANEL (OOX or XOO)



3-PANEL (OXO)



4-PANEL (OXXO)



# Colors

The Hampton Series offers four of the most popular colors available in vinyl windows: white, taupe, bronze, and black (bronze and black are capstock exterior with white interior), plus 12 standard painted color options to accentuate your home's unique style. Colors are painted on-site, not outsourced. Need an exact color match? We can offer any custom color in addition to these standard colors.

## Solid Color Extrusion Options



White

Taupe

## Capstock Options



White interior  
Bronze exterior\*

White interior  
Black exterior

## Painted Color Options†



Black Cream Gray Silver Clay Red  
Bronze Dark brown Brown Green Forest green Olive



White



Taupe



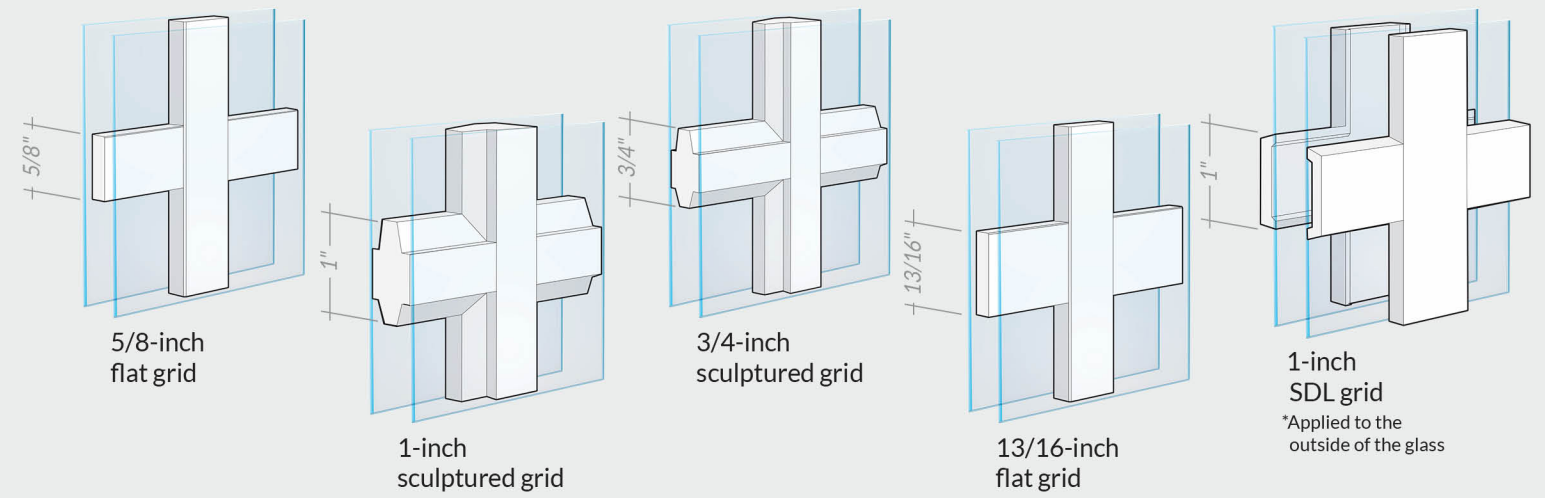
White interior  
Bronze exterior



White interior  
Black exterior

# Grid Options

The Hampton Series allows several grid options to add architectural interest and design elements—both inside and outside. Grids are available inside the insulated unit in 5/8-inch flat, 3/4-inch and 1-inch sculptured, and 13/16-inch flat grids. We also offer grids in simulated divided lites (SDLs), which are located on the outside of the glass to depict an Old World look of divided-lite windows.



# Secure Locking Options

The Hampton Series features the most popular window hardware options and offers three choices in locks utilizing durable metal design. You can choose from the classic, time-tested cam-action lock, or for a more contemporary look, choose the sleek, easy-to-use positive action lock, available on all sliding and single-hung windows. They offer secure locking and peace of mind, providing you the safety you desire in the comfort of your home.



## Contemporary Cam Lock

The contemporary cam lock is an enhanced accessibility lock that utilizes a single keeper for three differing locks. Its versatility and simplicity not only provide the security you desire for your home but also is easy to install and change.



## Classic Cam Lock

The standard cam lock is a classic, dependable, long-lasting, and easy-to-use option for all home models and styles. Its durability and proven security will provide you the peace of mind you need to be confident in the safety of your home.



## Positive Action Lock

The positive action lock is a more contemporary lock, which allows for automatic locking of the window when it is closed.





### Retrofit-Flush Fin

3 1/2-inch frame depth with an integral 1 1/2-inch dual-wall retrofit flush fin located on the exterior of the frame. This frame is also called a jump frame and allows the windows of your home to be installed in a retrofit application without removing the old window frames. This method does not damage or interrupt the existing water barrier and can be used in stucco, brick, and siding applications.



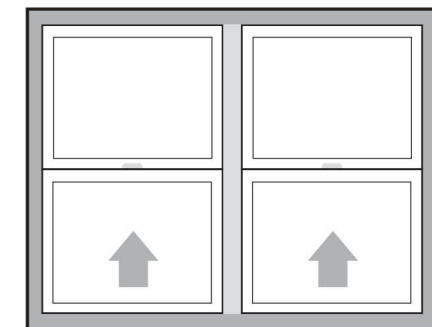
### Nail Fin

3 1/2-inch frame depth with an integral 1 3/8-inch nail fin setback, which is the most common frame style for new homes. This option is also available with stucco key in a 1-inch nail fin setback. This method helps to secure the window in place during installation and works together with weather-resistant barriers to block the infiltration of wind and water.



## Frame Styles

The Hampton Series is available in a variety of frame styles designed for any possible need, from new homes to remodels and updates.



### Continuous Frame Option

The continuous frame, or T-bar, option allows you to join more than one window in a single frame, thereby increasing structural integrity. A simulated T-bar SDL is available.

# Quality Vinyl

Not all vinyl is created equal. Lesser quality vinyl can discolor and warp with exposure to sun and harsh UV light. AMSCO's unique, Western-climate-specific PVC formula is scientifically formulated to withstand even the harshest conditions, season after season—all while maintaining its stability and function, without cracking, chipping, flaking, or chalking.

AMSCO's vinyl windows also offer additional benefits that will help to ensure that your home is not only aesthetically pleasing but also secured with protection and durability. Our vinyl is color-stabilized to prevent discoloration and protects against the damaging effects of UV rays. You can trust that AMSCO vinyl windows will not absorb moisture and are formulated specifically for mountain and Southwestern climates in order to maintain long-lasting stability so that you can rest confidently that your home's windows will be able to endure any season's harsh conditions.

## Independent Desert Condition Tests

AMSCO's vinyl is subjected to the following independent desert condition tests (beyond what the industry requires) so that you can be assured of enjoying your AMSCO windows worry-free for years to come:

- Heat resistance
- Weatherability
- Air infiltration
- Water resistance
- Dimensional stability
- Impact resistance
- Weight tolerance
- Tensile strength
- Corner-weld strength



## Patented Vinyl Formula

When exposed to identical conditions of light intensity, lesser quality vinyl allows more light to pass through. More light means that ultraviolet rays can degrade the polymer, leading to deformation and a "dingy" appearance. We add calcium carbonate and titanium dioxide to boost our patented vinyl formula and deliver superior color retention and stability so that AMSCO windows stay looking like new.

## FGIA Gold Labeled

All Hampton Series windows and patio doors are tested and certified to both structural and water infiltration test requirements. (This is the highest standard in the industry and requires independent auditing for quality assurance.)

## Hassle-Free Installation

All of AMSCO's windows are engineered for hassle-free installation, giving your installers the flexibility they need. Once you've decided on the windows that meet the unique needs of your home, the installation process should be the least of your worries. Because the installation plays an integral factor in the ultimate efficiency of your windows,

AMSCO has created a simplistic procedure that will ensure that your windows are successfully installed to perform as expected. Thanks to the reliability and quality of AMSCO Windows, you can trust that your installers will be able to set up your home's new windows without any glitches or setbacks.



# Glass Options

High-performance, energy-efficient glass options protect your home from temperature extremes. All of our glass options feature Super Spacer, which reduces thermal transfer and condensation.

## CÖZE

**Cardinal LoE<sup>2</sup>-270 Glass**  
Standard on every AMSCO window

## CÖZE HV

**Cardinal LoE<sup>3</sup>-366 Glass**  
High-energy performance rating, high visibility, and significant UV protection

## BRiTE

Glass designed to be easier to clean and to stay clean longer

## CÖZE TINT

**Cardinal LoE<sup>2</sup>-240 Glass**  
High-energy performance rating, glare control, and tinted for a beautiful aesthetic appearance

## CÖZE VANTAGE

Unique insulated glass unit designed to give maximum performance in U-value and solar heat gain coefficient by utilizing hard-coat, Low E technology (low energy is on two surfaces in this option)

### Super Spacer IG units

Closed dense cell material for higher performance

### Argon Gas

Can be added to any of our glass configurations to improve energy efficiency



AMSCO tempering furnace



# Certified Quality

Every AMSCO product meets or exceeds the criteria for a host of critical quality standards.



In addition to our own stringent quality control standards, AMSCO is a proud member of the Fenestration and Glazing Industry Alliance (FGIA) and the National Fenestration Rating Council (NFRC), and has earned the right to carry the Energy STAR label, a program sponsored by the Department of Energy. These organizations set the standards for the entire window and door industry.

## Performance Data

	U-VALUE <sup>†</sup>	SHGC <sup>‡</sup>	VT <sup>§</sup>	STC <sup>  </sup>	STRUCTURAL RATING
<b>HAMPTON RESIDENTIAL®</b>					
SINGLE HUNG	0.46 – 0.19	0.61 – 0.19	0.54 – 0.47	24 – 35	LC-PG40/50
HORIZONTAL SLIDER	0.46 – 0.19	0.61 – 0.19	0.54 – 0.29	27 – 35	LC-PG30, LC-PG50
CASEMENT	0.42 – 0.17	0.5 – 0.12	0.46 – 0.39	28 – 38	LC-PG50
AWNING	0.42 – 0.17	0.5 – 0.12	0.46 – 0.24	28 – 38	LC-PG30, LC-PG50
PICTURE WINDOW	0.47 – 0.14	0.67 – 0.16	0.57 – 0.49	28 – 36	LC-PG45, C-50

<sup>†</sup>U-value represents the amount of heat transfer, as measured in accordance with NFRC 100. <sup>‡</sup>Solar heat gain coefficient (SHGC) measures the amount of solar radiation entering the building, as measured per NFRC 200. <sup>§</sup>Visible transmittance (VT) measures the amount of visible light through the overall unit. <sup>||</sup>STC Sound Transmission Class is an integer rating of how well a building partition attenuates airborne sound. NOTE: Data shown is for comparison purposes only and is accurate as of December 1, 2019. Performance data is for overall window units and not glass only. Data presented is a range based on dual-pane 3/4", 1", 1.25" IG, LowE, without grids, intercept, super spacer, Cardinal spacer with air, and argon fill. Additional options may affect performance values, including values that may be outside of the ranges shown above. Please contact your authorized AMSCO dealer for actual values of units. All values are certified through FGIA or NFRC.

# About AMSCO Windows

AMSCO Windows is a privately held company founded in 1949. Our 535,000-square-foot manufacturing plant is located in Salt Lake City, Utah.

Many of AMSCO's employees have helped to grow the company over decades of service to AMSCO. This stable work environment provides for quality, long-term stability and a company you can count on now and into the future.

AMSCO has an on-site tempering furnace, multiple insulated glass lines, and state-of-the-art equipment to assure a consistent and efficient manufacturing process.



# Our Guarantee

At AMSCO, we offer all of our customers a guarantee that provides them with peace of mind. Our limited lifetime warranty covers any defects in materials or workmanship in our vinyl windows and doors for as long as customers own their homes.

Our warranty process is administered by your local dealer to ensure your satisfaction. Visit our website at [www.amscowindows.com](http://www.amscowindows.com) for complete warranty details, or contact your authorized AMSCO dealer for additional information.







## AMSCO Windows

1880 South 1045 West  
PO Box 25368  
Salt Lake City, Utah 84125

TOLL FREE  
**800.748.4661**

FACSIMILE  
**801.974.0498**

[amscowindows.com](http://amscowindows.com)



Copyright © 2021 AMSCO Windows. All rights reserved.  
Brite, CōzE, Make Your Home a Masterpiece, AMSCO, and AMSCO Windows are registered trademarks of AMSCO Windows. ENERGY STAR and the ENERGY STAR mark are registered U.S. marks. All other registered and unregistered trademarks herein are the sole property of their respective owners.

