



Our Thermally Broken Aluminum line of windows and patio doors are engineered with the latest thermal break technology, which reduces heat transmittance from the outside to your home, while delivering the slim sight lines and high strength to weight ratio.

Aluminum Casement Window

1. Miter cut frame and sash solid construction
2. Heavy-duty aluminum frame and sash
3. Low profile operator and lock matching frame color
4. Double weather stripping, frame and sash



Silver operator cover



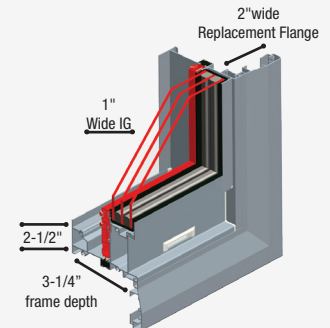
Bronze operator cover

Casement Operator Features:

- Optimized gear ratio for smooth operation of large sashes
- Patented two-directional fixing design and pre-fitted foam gasket for maximum air/water performance
- Multiple fixing locations for greater mounting flexibility

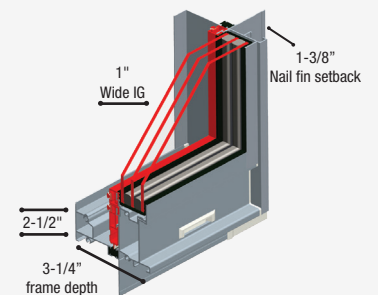
RETROFIT

For replacement applications. 2" replacement flange allows for convenient installation with no need to break out stucco.



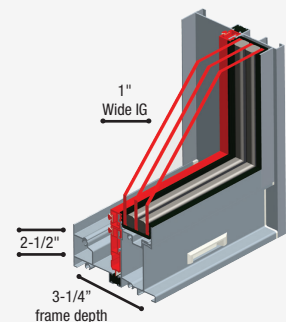
NAIL ON

For new construction applications. This frame type allows targeted installation in a newly created opening. 1-3/8" set back to meet builders needs.



BLOCK

Block frame is suitable for some replacement applications.



*Available in Dual or Triple glaze

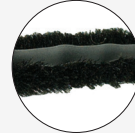
Block Frame Horizontal Sliding window
in Bronze Anodized finish



Tilt in Single Hung Window



Tilt Latches



Double weather stripping close-up



With exceptional engineering and meticulously selected top of the line components, Our Thermally Broken Aluminum Windows Series offers excellent options that will bring an elegant look and comfort to your home. Available with Nail-On, Block frame and Retrofit for your replacement, remodel, or new construction project.

Aluminum Windows key features:

- Auto-lock for easy locking and heavy duty hardware on casements
 - Weep hole covers prevent debris from obstructing the drainage system and provide an aesthetic look
 - Even sight lines for a balanced look
 - Integral pull rail on hung and sliding windows for easy operation
 - Premium hardware for lasting ease of use
 - Hung model features constant force counter weight balance system for effortless movement of operating sashes
 - 3-1/4" frame depth for structural integrity
 - Thermally broken profile featuring a polyurethane spacer to create a thermal barrier between the exterior and interior frame
 - 1" insulated glass unit featuring LoE3 glass and Duralite spacer enhances thermal performance of glass components
 - Full weather stripping helps prevent air infiltration
 - Argon gas filled for increased energy savings
- Available Configurations:**
- Horizontal slider
 - Single hung
 - Picture windows
 - Casements & Awnings
 - Stacked and mullied combinations

Frame types

- Nail-on
- Block
- Retrofit

Standard Colors



*color may vary on actual product

Auto-lock

Matching the aluminum color
Features robust dual hooks for superior forced entry resistance
Effortless long lasting performance

