



TRU-FRAME®
A name you can build on.

ACRYLIC DOME FIXED CURB MOUNT SKYLIGHT

FRAME FINISH

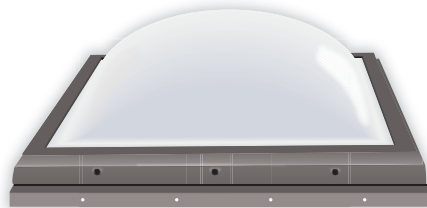
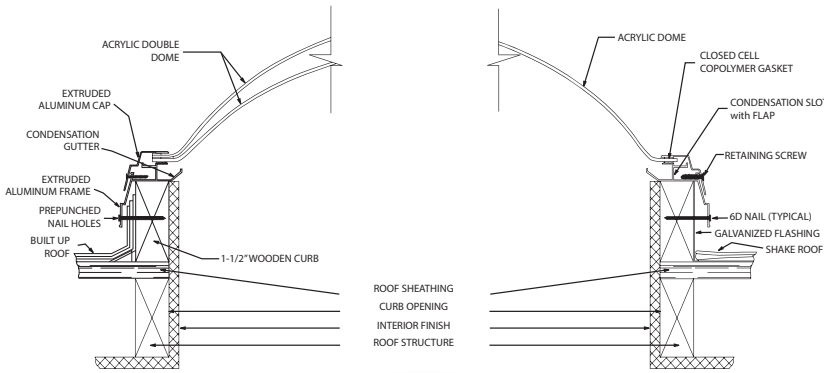
- = Mill Finish
- = Bronze Paint

(Special Orders Only)

* All other Tru-Frame® custom colors are available – Call for quote

DOMES OPTIONS

- | | |
|---------------|--------------------|
| <u>Single</u> | <u>Double Dome</u> |
| C = Clear | CC = Clear/Clear |
| B = Bronze | BC = Bronze/Clear |
| W = White | WC = White/Clear |



MODEL NO.	WOOD CURB OUTSIDE DIMENSION*	MILL FINISH SINGLE DOME	MILL FINISH DOUBLE DOME	BRONZE FINISH SINGLE DOME	BRONZE FINISH DOUBLE DOME
LC1616	17-1/2" x 17-1/2"	\$203.00	\$239.50	\$212.00	\$252.00
LC1624	17-1/2" x 25-1/2"	\$230.00	\$279.50	\$245.00	\$294.00
LC1632	17-1/2" x 33-1/2"	\$258.00	\$321.50	\$273.00	\$335.50
LC1648	17-1/2" x 49-1/2"	\$329.50	\$417.50	\$345.50	\$435.50
LC2424	25-1/2" x 25-1/2"	\$261.00	* \$327.00	\$276.00	* \$341.00
LC2432	25-1/2" x 33-1/2"	\$311.00	\$392.00	\$325.00	\$407.00
LC2436	25-1/2" x 37-1/2"	\$324.50	\$419.00	\$340.50	\$435.00
LC2448	25-1/2" x 49-1/2"	\$375.00	* \$494.50	\$392.00	* \$509.00
LC2472	25-1/2" x 73-1/2"	\$536.00	\$719.00	\$555.00	\$734.00
LC2496	25-1/2" x 97-1/2"	\$644.50	\$874.50	\$666.50	\$897.00
LC3232	33-1/2" x 33-1/2"	\$354.00	\$463.00	\$365.00	\$476.00
LC3248	33-1/2" x 49-1/2"	\$488.00	\$647.50	\$503.00	\$665.00
LC3272	33-1/2" x 73-1/2"	\$620.50	\$850.00	\$635.00	\$861.50
LC3296	33-1/2" x 97-1/2"	\$966.00	\$1,454.50	\$976.50	\$1,451.50
LC3636	37-1/2" x 37-1/2"	\$414.50	\$538.00	\$449.50	\$558.00
LC3648	37-1/2" x 49-1/2"	\$483.50	\$641.00	\$518.00	\$659.50
LC3672	37-1/2" x 73-1/2"	\$791.50	\$1,163.50	\$839.00	\$1,179.50
LC4848	49-1/2" x 49-1/2"	\$536.50	\$728.50	\$558.00	\$769.50
LC4872	49-1/2" x 73-1/2"	\$921.50	\$1,388.00	\$938.00	\$1,437.00
LC4896	49-1/2" x 97-1/2"	\$1,132.00	\$1,749.00	\$1,153.00	\$1,806.50

(*) Denotes **STOCK SIZE** Skylights. All other sizes listed above are **NON-STOCK STANDARD** sizes.

SPECIAL SIZES are available, see Special Order Instruction Sheet for this section. Outside curb dimension does NOT include flashing..

See "Shipping Terms & Conditions" page for **RE-STOCK FEES** on returns. **SPECIAL SKYLIGHTS CANNOT BE CANCELLED OR RETURNED.**

Building Codes vary greatly between States and Counties, and R. Lang Company cannot be held liable for knowing a customer's specific regulations or product application. It is up to the builder/contractor/architect to verify products are within compliance before order is placed.

PACKAGING: All skylights are polywrapped.

See [Packaging Chart](#) located in "Shipping Terms and Conditions" to calculate Packaging Fees for orders shipping Common Carrier.

NOTE: Recommend a minimum 3/12 roof pitch for proper weeping. Flat roof installation NOT recommended and voids warranty.



TRU-FRAME®
A name you can build on.

**OPEN-AIR ACRYLIC DOME
CURB MOUNT SKYLIGHT**

FRAME FINISH

- = Mill Finish
- = Bronze Paint

(Special Orders Only)

* All other Tru-Frame® custom colors are available – Call for quote

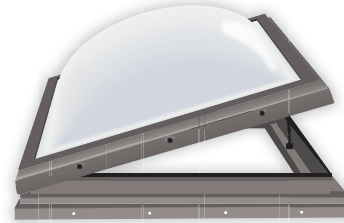
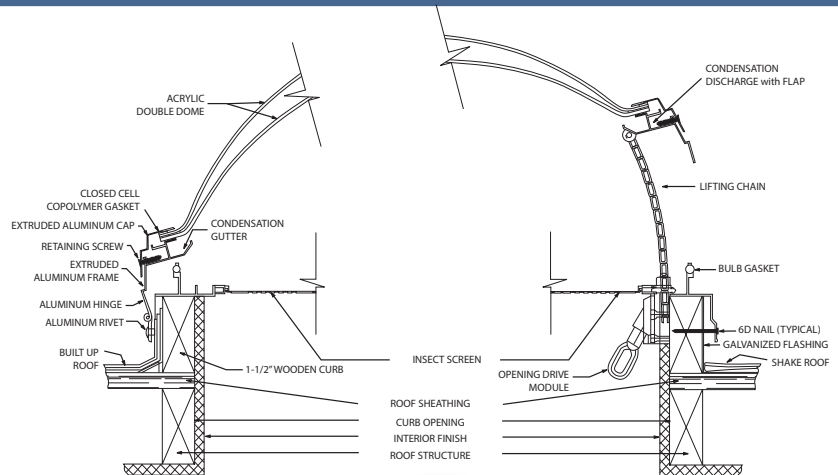
DOME OPTIONS

Single

- C = Clear
- B = Bronze
- W = White

Double Dome

- CC = Clear/Clear
- BC = Bronze/Clear
- WC = White/Clear



MODEL NO.	WOOD CURB OUTSIDE DIMENSION*	MILL FINISH SINGLE DOME	MILL FINISH DOUBLE DOME	BRONZE FINISH SINGLE DOME	BRONZE FINISH DOUBLE DOME
LO2424	25-1/2" x 25-1/2"	\$644.50	\$703.00	\$673.00	* \$774.00
LO2432	25-1/2" x 33-1/2"	\$693.00	\$786.50	\$605.50	\$846.50
LO2436	25-1/2" x 37-1/2"	\$714.00	\$839.50	\$750.00	\$878.50
LO2448	25-1/2" x 49-1/2"	\$759.50	* \$909.50	\$797.00	* \$951.00
LO2472	25-1/2" x 73-1/2"	\$1,088.00	\$1,192.00	\$947.50	\$1,360.00
LO2496	25-1/2" x 97-1/2"	\$916.00	\$992.00	\$986.00	\$1,168.50
LO3232	33-1/2" x 33-1/2"	\$725.50	\$866.50	\$674.00	\$902.50
LO3248	33-1/2" x 49-1/2"	\$739.00	\$1,073.50	\$981.00	\$1,116.00
LO3272	33-1/2" x 73-1/2"	\$983.50	\$1,446.50	\$1,083.50	\$1,503.00
LO3296	33-1/2" x 97-1/2"	\$1,604.00	\$1,545.50	\$1,383.00	\$1,690.00
LO3636	37-1/2" x 37-1/2"	\$834.00	\$989.50	\$769.00	\$1,029.50
LO3648	37-1/2" x 49-1/2"	\$880.50	\$1,193.50	\$932.50	\$1,306.00
LO4848	49-1/2" x 49-1/2"	\$1,062.00	\$1,223.00	\$1,107.00	\$1,338.50
LO4872	49-1/2" x 73-1/2"	\$1,507.50	\$1,751.00	\$1,393.50	\$1,902.00
LO4896	49-1/2" x 97-1/2"	\$1,737.50	\$2,052.00	\$1,605.00	\$2,231.00

(*) Denotes **STOCK SIZE** Skylights. All other sizes listed above are **NON-STOCK STANDARD** sizes.

SPECIALS SIZES are available, see Special Order Instruction Sheet for this section. Outside curb dimension does NOT include flashing.

See "Shipping Terms & Conditions" page for **RE-STOCK FEES** on returns. **SPECIAL SKYLIGHTS CANNOT BE CANCELLED OR RETURNED.**

Building Codes vary greatly between States and Counties, and R. Lang Company cannot be held liable for knowing a customer's specific regulations or product application. It is up to the builder/contractor/architect to verify products are within compliance before order is placed.

OPEN-AIR SKYLIGHTS are equipped with an aluminum wire screen and operator pole which will extend from 6 to 10 feet.

STANDARD HINGE LOCATION for rectangular Open-Air Skylights is on the short side. If a unit is to be hinged on the long side, this must be specified when ordering. Add \$60.00 list to prices above for specified hinge location.

ELECTRICAL OPERATOR - An electrically operated, 24-volt DC motor can be used with, or substituted for, the manual operator. Call Customer Service for more information regarding Electric Operators.

PACKAGING - All LO models are boxed.

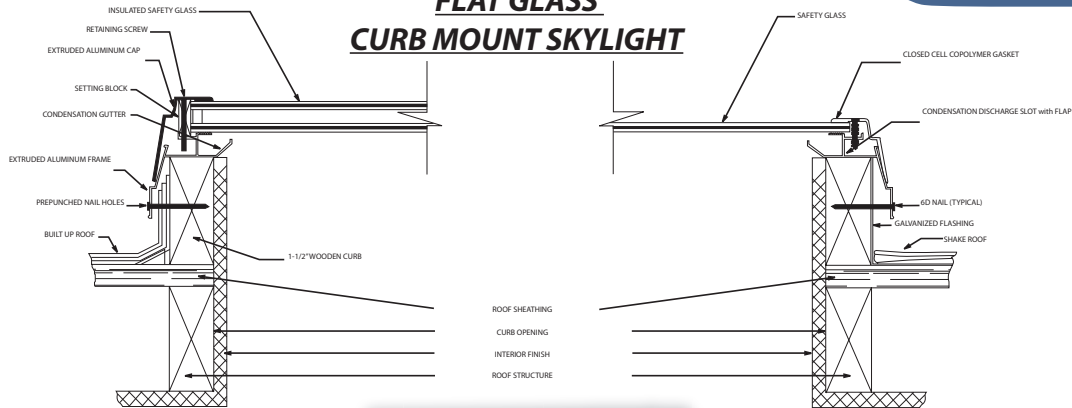
See Packaging Chart located in "Shipping Terms and Conditions" to calculate Packaging Fees for orders shipping Common Carrier.

NOTE: Recommend a minimum 3/12 roof pitch for proper weeping. Flat roof installation NOT recommended and voids warranty.



TRU-FRAME®
A name you can build on.

FLAT GLASS CURB MOUNT SKYLIGHT



FRAME FINISH

- = Mill Finish
- = Bronze Paint

(Special Orders Only)

* All other Tru-Frame® custom colors are available – Call for quote



MILL FINISH
LIST PRICE

GLASS OPTIONS

Single

L = Laminated (Clear)

Insulated (Tempered/Laminated)

CL = Clear

BL = Bronze

EL = Low-E2

SL = Solar Cool Bronze

PART NO.	WOOD CURB OUTSIDE DIMENSION*	SINGLE (L)	INSULATED (CL)	INSULATED (BL)	INSULATED (EL)	INSULATED (SL)
LCG2424	25-1/2" x 25-1/2"	\$322.00	\$414.50	\$427.50	\$466.00	\$576.50
LCG2436	25-1/2" x 37-1/2"	\$418.00	\$559.00	\$574.50	\$633.50	\$812.50
LCG2448	25-1/2" x 49-1/2"	\$500.50	\$694.00	\$715.50	\$795.50	\$1,040.00
LCG2472	25-1/2" x 73-1/2"	\$713.50	\$999.00	\$1,033.00	\$1,155.00	\$1,429.00
LCG2496	25-1/2" x 97-1/2"	\$883.00	\$1,264.50	\$1,361.50	\$1,475.00	\$1,856.50
LCG3636	37-1/2" x 37-1/2"	\$565.50	\$776.00	\$799.00	\$904.00	\$1,100.00
LCG3648	37-1/2" x 49-1/2"	\$680.50	\$962.50	\$996.50	\$1,137.00	\$1,446.00
LCG4848	49-1/2" x 49-1/2"	\$813.00	\$1,216.50	\$1,252.50	\$1,480.50	\$1,831.00

BRONZE FINISH
LIST PRICE

PART NO.	WOOD CURB OUTSIDE DIMENSION*	SINGLE (L)	INSULATED (CL)	INSULATED (BL)	INSULATED (EL)	INSULATED (SL)
LCG2424	25-1/2" x 25-1/2"	\$339.50	* \$441.00	* \$442.50	* \$490.00	\$596.00
LCG2436	25-1/2" x 37-1/2"	\$437.50	\$585.00	\$592.50	\$665.00	\$832.50
LCG2448	25-1/2" x 49-1/2"	\$524.00	* \$725.00	* \$732.00	* \$827.50	\$1,063.50
LCG2472	25-1/2" x 73-1/2"	\$719.50	\$1,008.00	\$1,037.00	\$1,172.00	\$1,446.00
LCG2496	25-1/2" x 97-1/2"	\$920.50	\$1,312.50	\$1,357.00	\$1,523.00	\$1,891.00
LCG3636	37-1/2" x 37-1/2"	\$594.50	\$803.50	\$859.00	\$935.00	\$1,127.00
LCG3648	37-1/2" x 49-1/2"	\$719.50	\$996.50	\$1,030.50	\$1,172.00	\$1,480.50
LCG4848	49-1/2" x 49-1/2"	\$849.50	\$1,259.50	\$1,271.00	\$1,517.50	\$1,860.00

(*) Denotes **STOCK SIZE** Skylights. All other sizes listed above are **NON-STOCK STANDARD** sizes. **SPECIALS** are available, see Special Order Instruction Sheet for this section. See "Shipping Terms and Conditions" page for **RE-STOCK FEES** on returns. **SPECIAL SKYLIGHTS CANNOT BE CANCELLED OR RETURNED.** Outside curb dimension **DOES NOT** include flashing.

Glass skylights can NOT be manufactured with more than 16 sq. ft. of continuous glass surface. Contact factory for special units. **Building Codes** vary greatly between States and Counties, and R. Lang Company cannot be held liable for knowing a customer's specific regulations or product application. It is up to the builder/contractor/architect to verify products are within compliance before order is placed.

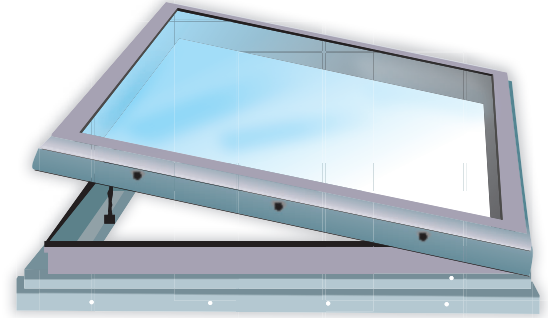
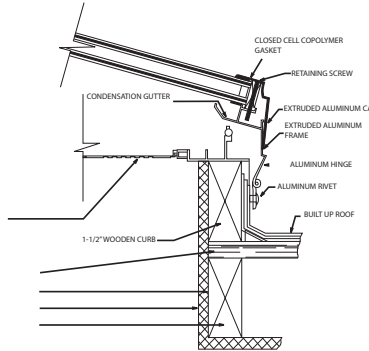
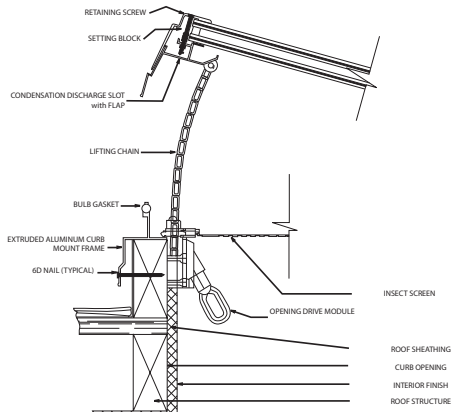
PACKAGING - All glass skylights are boxed. See **Packaging Chart** located in "Shipping Terms and Conditions" for orders shipping Common Carrier.
NOTE: Recommend a minimum 3/12 roof pitch for proper weeping. Flat roof installation NOT recommended and voids Warranty.



TRU-FRAME®

A name you can build on.

OPEN-AIR FLAT GLASS CURB MOUNT SKYLIGHT



FRAME FINISH

- = Mill Finish
- = Bronze Paint

(Special Orders Only)

* All other Tru-Frame® custom colors are available – Call for quote

GLASS OPTIONS

- Single
- L = Laminated (Clear)
- Insulated (Tempered/Laminated)
- CL = Clear
- BL = Bronze
- EL = Low-E2
- SL = Solar Cool Bronze

MILL FINISH LIST PRICE

PART NO.	WOOD CURB OUTSIDE DIMENSION	SINGLE (L)	INSULATED (CL)	INSULATED (BL)	INSULATED (EL)	INSULATED (SL)
LOG2424	25-1/2" x 25-1/2"	\$738.50	\$860.50	\$875.00	\$894.00	\$959.00
LOG2436	25-1/2" x 37-1/2"	\$852.00	\$1,118.00	\$1,142.00	\$1,185.00	\$1,334.00
LOG2448	25-1/2" x 49-1/2"	\$1,214.50	\$1,290.50	\$1,328.00	\$1,397.00	\$1,622.00
LOG2472	25-1/2" x 73-1/2"	\$1,400.50	\$1,898.00	\$1,944.00	\$2,046.50	\$2,397.50
LOG2496	25-1/2" x 97-1/2"	\$1,611.50	\$2,310.00	\$2,109.00	\$2,460.50	\$2,968.50
LOG3636	37-1/2" x 37-1/2"	\$1,217.00	\$1,484.50	\$1,916.50	\$1,583.50	\$1,796.50
LOG3648	37-1/2" x 49-1/2"	\$1,360.00	\$1,705.00	\$1,751.50	\$1,952.00	\$2,298.50
LOG4848	49-1/2" x 49-1/2"	\$1,534.50	\$1,984.50	\$2,002.50	\$2,238.00	\$2,393.00

BRONZE FINISH LIST PRICE

PART NO.	WOOD CURB OUTSIDE DIMENSION	SINGLE (L)	INSULATED (CL)	INSULATED (BL)	INSULATED (EL)	INSULATED (SL)
LOG2424	25-1/2" x 25-1/2"	\$771.00	\$898.00	\$912.00	\$934.00	\$967.00
LOG2436	25-1/2" x 37-1/2"	\$893.00	\$1,163.00	\$1,192.00	\$1,231.50	\$1,342.50
LOG2448	25-1/2" x 49-1/2"	\$1,007.50	\$1,347.50	\$1,386.50	\$1,448.50	\$1,626.50
LOG2472	25-1/2" x 73-1/2"	\$1,478.00	\$1,962.50	\$2,016.50	\$2,119.50	\$2,401.00
LOG2496	25-1/2" x 97-1/2"	\$1,686.50	\$2,327.50	\$2,393.00	\$2,546.00	\$2,975.50
LOG3636	37-1/2" x 37-1/2"	\$1,271.00	\$1,539.00	\$1,572.50	\$1,634.50	\$1,805.50
LOG3648	37-1/2" x 49-1/2"	\$1,418.00	\$1,938.00	\$1,991.50	\$2,013.50	\$2,309.50
LOG4848	49-1/2" x 49-1/2"	\$1,620.50	\$2,079.50	\$2,106.00	\$2,306.00	\$2,735.50

All Open-Air® Skylights listed above are **NON-STOCK STANDARD** sizes. **Specials** are available, see Special Order Instruction Sheet for this section. **SPECIAL SKYLIGHTS CANNOT BE CANCELLED OR RETURNED.** Outside curb dimension **DOES NOT** include flashing. Glass skylights **cannot** be manufactured with more than 16 sq. ft. of continuous surface. **Building Codes** vary greatly between States and Counties, and R. Lang Company **cannot be held liable** for knowing a customer's specific regulations or product application. It is up to the builder/contractor/architect to verify products are within compliance before order is placed.. **ALL OPEN AIR SKYLIGHTS** are equipped with a removable screen and operator pole which will extend from 6 to 10 feet.

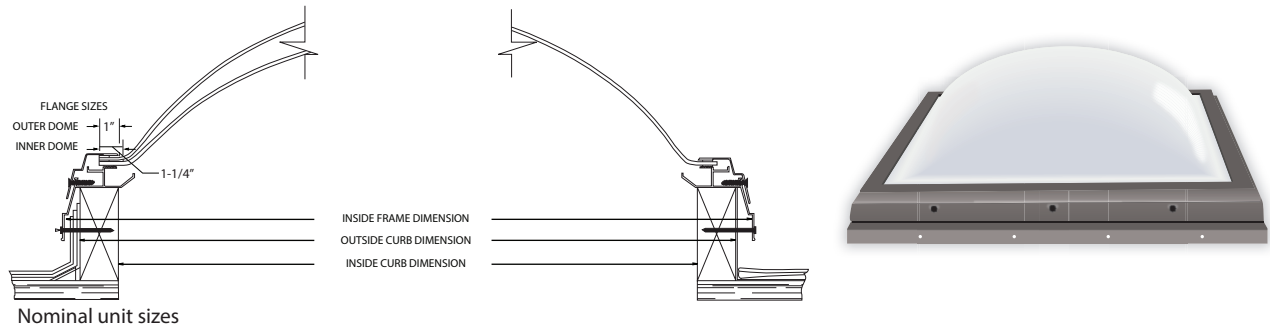
THE STANDARD HINGE LOCATION for rectangular Open-Air Skylights is on the short side. If a unit is to be hinged on the long side, this must be specified when ordering. Add \$60.00 list to prices above for specific hinge location.

ELECTRIC OPERATOR - An electrically operated, 24-volt DC motor can be substituted for the manual operator. Contact factory for pricing/information.

PACKAGING - All Glass skylights are boxed. See Packaging Chart located in "Shipping Terms and Conditions" for orders shipping Common Carrier.

NOTE: Recommend a minimum 3/12 roof pitch for proper weeping. Flat roof installation **NOT** recommended and voids Warranty.

CURB MOUNT SKYLIGHT DIMENSION REFERENCE



NORMAL DOME SIZE FLANGE-TO-FLANGE	"A" WOODEN CURB INSIDE DIMENSION	"B" WOODEN CURB OUTSIDE DIMENSION	"C" INSIDE SKYLIGHT FRAME DIMENSION	DOME RISE
16" x 16"	14-1/2" x 14-1/2"	17-1/2" x 17-1/2"	18-3/4" x 18-3/4"	4"
16" x 24"	14-1/2" x 22-1/2"	17-1/2" x 25-1/2"	18-3/4" x 26-3/4"	4"
16" x 32"	14-1/2" x 30-1/2"	17-1/2" x 33-1/2"	18-3/4" x 34-3/4"	4"
16" x 48"	14-1/2" x 46-1/2"	17-1/2" x 49-1/2"	18-3/4" x 50-3/4"	4"
24" x 24"	22-1/2" x 22-1/2"	25-1/2" x 25-1/2"	26-3/4" x 26-3/4"	6"
24" x 32"	22-1/2" x 30-1/2"	25-1/2" x 33-1/2"	26-3/4" x 34-3/4"	6"
24" x 36"	22-1/2" x 34-1/2"	25-1/2" x 37-1/2"	26-3/4" x 38-3/4"	6"
24" x 48"	22-1/2" x 46-1/2"	25-1/2" x 49-1/2"	26-3/4" x 50-3/4"	6"
24" x 96"	22-1/2" x 94-1/2"	25-1/2" x 97-1/2"	26-3/4" x 98-3/4"	6"
32" x 32"	30-1/2" x 30-1/2"	33-1/2" x 33-1/2"	34-3/4" x 34-3/4"	6"
32" x 48"	30-1/2" x 46-1/2"	33-1/2" x 49-1/2"	34-3/4" x 50-3/4"	6"
32" x 72"	30-1/2" x 70-1/2"	33-1/2" x 73-1/2"	34-3/4" x 74-3/4"	8"
32" x 96"	30-1/2" x 94-1/2"	33-1/2" x 97-1/2"	34-3/4" x 98-3/4"	8"
36" x 36"	34-1/2" x 34-1/2"	37-1/2" x 37-1/2"	38-3/4" x 38-3/4"	7"
36" x 48"	34-1/2" x 46-1/2"	37-1/2" x 49-1/2"	38-3/4" x 50-3/4"	7"
36" x 72"	34-1/2" x 70-1/2"	37-1/2" x 73-1/2"	38-3/4" x 74-3/4"	8"
36" x 96"	34-1/2" x 94-1/2"	37-1/2" x 97-1/2"	38-3/4" x 98-3/4"	8"
48" x 48"	46-1/2" x 46-1/2"	49-1/2" x 49-1/2"	50-3/4" x 50-3/4"	8"
48" x 72"	46-1/2" x 70-1/2"	49-1/2" x 73-1/2"	50-3/4" x 74-3/4"	8"
48" x 96"	46-1/2" x 94-1/2"	49-1/2" x 97-1/2"	50-3/4" x 98-3/4"	10"

SPECIFICATIONS:

1. MATERIALS

- 2.1 **ALLOYS** — Aluminum shall be commercial quality, free from defects impairing strength and durability. All extruded aluminum sections shall be 6063 T-5 alloy and temper.
- 2.2 **FRAME MEMBERS** — Main frame and cap shall be extruded aluminum and of sufficient strength to perform as designed. Main frame shall be at least 3" x 2-7/8". Cap frame shall be 2" x 1-3/4".
- 2.3 **DOMES** — All domes shall be formed from acrylic sheet in proper thickness, either clear or colored. All acrylic shall be an approved plastic as defined in Section 5202 of the Uniform Building Code.
- 2.4 **WEATHER SEAL** — All members shall be weather sealed with a closed-cell polymer foam gasket which is coated on both sides with a pressure sensitive acrylic adhesive. This gasket shall meet or exceed AAMA #810.1-1977, and perform in such a manner as to withstand environmental break down and maintain an effective weather seal.

2. CONSTRUCTION

- 3.1 **ASSEMBLY** — Skylights shall be assembled in a secure and workmanlike manner. The frame members shall be of mitered construction, joined at each corner with a heliarc weld. One or two domes shall be separated by a weather seal, and clamped in place firmly by cap frame. The cap frame shall be anchored to the gutter frame with plated #8 x 1" Phillips flat head sheet metal screws at 12" OC maximum.

3. FINISH

- 4.1 **ALUMINUM** — All frame members shall be mill finish or commercial bronze paint, and shall meet standard quality specifications of the industry.



TRU-FRAME®
A name you can build on.

TRU-FRAME® REPLACEMENT DOMES

For use with LC & LO Models Only

(Replacement Domes for LLA Models - The Outside Wood Curb Size is same Dimension as the Dome Flange-to-Flange Size)

PART NO.	DESCRIPTION	DOMES RISE	SINGLE DOME	DOUBLE DOME
LR1616	16" x 16" - Acrylic Replacement Dome Only	5"	\$77.00	\$147.00
LR1624	16" x 24" - Acrylic Replacement Dome Only	5"	\$111.50	\$213.50
LR1632	16" x 32" - Acrylic Replacement Dome Only	5"	\$122.50	\$235.50
LR1648	16" x 48" - Acrylic Replacement Dome Only	5"	\$144.50	\$276.50
LR2424	24" x 24" - Acrylic Replacement Dome Only	6"	\$105.50	\$199.50
LR2432	24" x 32" - Acrylic Replacement Dome Only	6"	\$139.50	\$263.50
LR2436	24" x 36" - Acrylic Replacement Dome Only	6"	\$158.50	\$301.00
LR2448	24" x 48" - Acrylic Replacement Dome Only	6"	\$209.00	\$396.50
LR2472	24" x 72" - Acrylic Replacement Dome Only	8"	\$245.00	\$466.00
LR2496	24" x 96" - Acrylic Replacement Dome Only	10"	\$323.50	\$616.00
LR3232	32" x 32" - Acrylic Replacement Dome Only	6"	\$150.00	\$284.50
LR3248	32" x 48" - Acrylic Replacement Dome Only	6"	\$209.00	\$396.50
LR3272	32" x 72" - Acrylic Replacement Dome Only	8"	\$298.00	\$568.00
LR3296	32" x 96" - Acrylic Replacement Dome Only	10"	\$374.00	\$710.00
LR3636	36" x 36" - Acrylic Replacement Dome Only	7"	\$245.00	\$466.00
LR3648	36" x 48" - Acrylic Replacement Dome Only	7"	\$258.00	\$492.50
LR3672	36" x 72" - Acrylic Replacement Dome Only	10"	\$399.50	\$764.00
LR4848	48" x 48" - Acrylic Replacement Dome Only	8"	\$302.00	\$575.00
LR4872	48" x 72" - Acrylic Replacement Dome Only	11"	\$531.00	\$1,014.00
LR4896	48" x 96" - Acrylic Replacement Dome Only	11"	\$652.00	\$1,244.00

SPECIALS: Specials are available. Add \$40.00 list to next largest size. **CUSTOM UNITS CANNOT BE CANCELLED OR RETURNED.** Building Codes vary greatly between States and Counties, and R. Lang Company cannot be held liable for knowing a customer's specific regulations or product application. It is up to the builder/contractor/architect to verify products are within compliance before order is placed.

NOTE: Due to the thermo-forming process, domes 48" or larger will have some shrinkage which can be eliminated by applying downward pressure when installing.

Nominal "call out" size = Actual dome size or flange-to-flange dimension.

All replacement domes are available in single or double dome configuration. Replacement domes are designed for use with Tru-Frame® skylights. All replacement domes are polywrapped - See [Packaging Chart](#) located in "Shipping Terms and Conditions" to calculate Packaging Fees for orders shipping Common Carrier.

Dome colors available are CLEAR, WHITE or BRONZE. Specify dome color(s) as follows:

DOUBLE DOME

CC = CLEAR over CLEAR
BC = BRONZE over CLEAR
WC = WHITE over CLEAR

SINGLE DOME

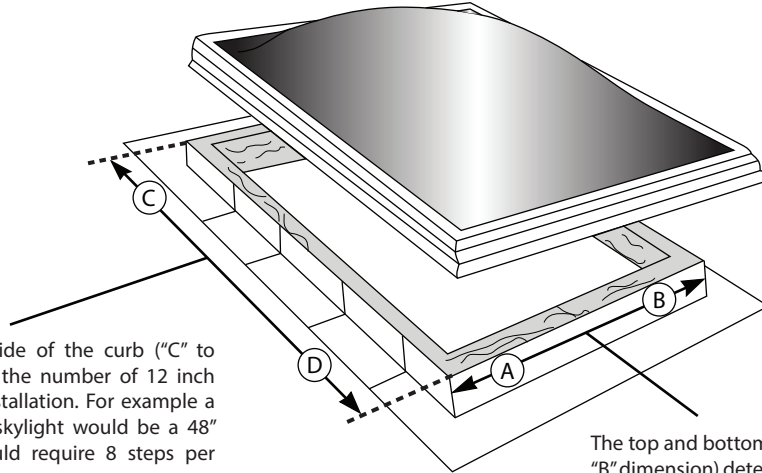
C = CLEAR
B = BRONZE
W = WHITE





TRU-FRAME®
A name you can build on.

TRU-FRAME® SKYLIGHT FLASHING



The pitch or down-slope side of the curb ("C" to "D" dimension) determines the number of 12 inch step flashing needed for installation. For example a Tru-Frame® LC2448 model skylight would be a 48" pitch down-slope and would require 8 steps per installation.

The top and bottom measurement of the curb ("A" to "B" dimension) determines the size of the flashing. For example, a Tru-Frame® LC2448 model skylight would require a 24" saddle flashing kit to fit an outside curb 25 1/2".

SKYLIGHT PART NO.	WOOD CURB OUTSIDE DIMENSION	SADDLE FLASHING ONE PAIR MODEL NO.	STEPS REQUIRED
LC1616	17-1/2" x 17-1/2"	LF16	2
LC1624	17-1/2" x 25-1/2"	LF16	4
LC1632	17-1/2" x 33-1/2"	LF16	6
LC1648	17-1/2" x 49-1/2"	LF16	8
LC2424	25-1/2" x 25-1/2"	LF24	4
LC2432	25-1/2" x 33-1/2"	LF24	6
LC2436	25-1/2" x 37-1/2"	LF24	6
LC2448	25-1/2" x 49-1/2"	LF24	8
LC2472	25-1/2" x 73-1/2"	LF24	12
LC2496	25-1/2" x 97-1/2"	LF24	16
LC3232	33-1/2" x 33-1/2"	LF32	6
LC3248	33-1/2" x 49-1/2"	LF32	8
LC3272	33-1/2" x 73-1/2"	LF32	12
LC3296	33-1/2" x 97-1/2"	LF32	16
LC3636	37-1/2" x 37-1/2"	LF36	6
LC3648	37-1/2" x 49-1/2"	LF36	8
LC3672	37-1/2" x 73-1/2"	LF36	12
LC3696	37-1/2" x 97-1/2"	LF36	16
LC4848	49-1/2" x 49-1/2"	LF48	8
LC4872	49-1/2" x 73-1/2"	LF48	12
LC4896	49-1/2" x 97-1/2"	LF48	16



TRU-FRAME®
A name you can build on.

TRU-FRAME® FLASHING KITS

PART NO.	DESCRIPTION	WOOD CURB INSIDE DIMENSION	WOOD CURB OUTSIDE DIMENSION	QTY PER PACKAGE	LIST PRICE
LF16	16" T&B Galvanized Saddle Flashing	14-1/2"	17-1/2"	1 Pair	\$101.00
LF24	24" T&B Galvanized Saddle Flashing	22-1/2"	25-1/2"	1 Pair	\$114.00
LF32	32" T&B Galvanized Saddle Flashing	30-1/2"	33-1/2"	1 Pair	\$127.50
LF36	36" T&B Galvanized Saddle Flashing	34-1/2"	37-1/2"	1 Pair	\$134.50
LF48	48" T&B Galvanized Saddle Flashing	46-1/2"	49-1/2"	1 Pair	\$152.00
LF64	64" T&B Galvanized Saddle Flashing	62-1/2"	65-1/2"	1 Pair	\$222.00
LF72	72" T&B Galvanized Saddle Flashing	70-1/2"	73-1/2"	1 Pair	\$233.50
LF96	96" T&B Galvanized Saddle Flashing	94-1/2"	97-1/2"	1 Pair	\$292.00
LFS12	12" x 12" Galvanized Step Flashing	-	-	10 Each	\$71.50

SPECIALS: Add \$30.00 list to next largest size
PACKAGING: Saddle Flashing is packed (1) pair per carton. Step flashing is packed ten (10) pieces per carton.
 No broken cartons.

SKYLIGHT COMPONENTS

MODEL NO.	ITEM NAME	DESCRIPTION	LIST PRICE
LE1003	WLS Electric Operator System	Installs on the R. Lang manual operator. Includes wall switch.	\$1,500.00
LE1003##	WLS Electric Operator Cover	Cover for LE1003 operator - (Sold separately from WLS Operator).	\$35.00
LE1004	HS Electric Operator System	Replaces R. Lang operator. Wall switch is NOT included (Available separately).	\$1,750.00
LE1004##	HS Electric Operator Cover	Cover for LE1004 operator - (Sold separately from HS Operator).	\$45.00
LE1005	Electric Operator Wall Switch	For use with the LE1004 HS Operator.	\$375.00
LE1006	Remote for Electric Operator	For use with the LE1003 and LE1004 operators.	\$450.00
LH1500	Skylight Operator Pole		\$85.00
LH1510	Skylight Operator Eyelet		\$18.00
LH1510BR	Skylight Operator Eyelet Bronze		\$23.00
LH1510WH	Skylight Operator Eyelet White		\$23.00
LM1110	1/8" x 1/2" x 100 Ft Glaze Tape 1-Sided - (Price per Foot)		\$0.65
LM1112	1/8" x 1/2" x 100 Ft Glaze Tape 2-Sided - (Price per Foot)		\$0.65

- Brown plastic (BR), Gray (GR), White (WH)

ELECTRIC MOTOR REQUIRED

NOMINAL	ACRYLIC	GLASS
2424	WLS	WLS
2432	WLS	WLS
2436	WLS	WLS
2448	WLS	WLS
2472	WLS	HS
2496	WLS	HS
3232	WLS	WLS
3236	WLS	WLS
3248	WLS	WLS

NOMINAL	ACRYLIC	GLASS
3272	WLS	HS
3296	WLS	HS
3636	WLS	WLS
3648	WLS	HS
3672	WLS	N/A
3696	WLS	N/A
4848	WLS	HS
4872	WLS	N/A
4896	HS	N/A

Note: "nominal" refers to the 4 digit part number on all open-air skylights. "WLS" (light load) and "HS" (heavy load) are the type operators.
 For example, pg 59 a LOG2424 could use a "WLS" for Acrylic or Glass skylight.



TRU-FRAME®
A name you can build on.

"L" Series Skylight (Fixed & Operable)

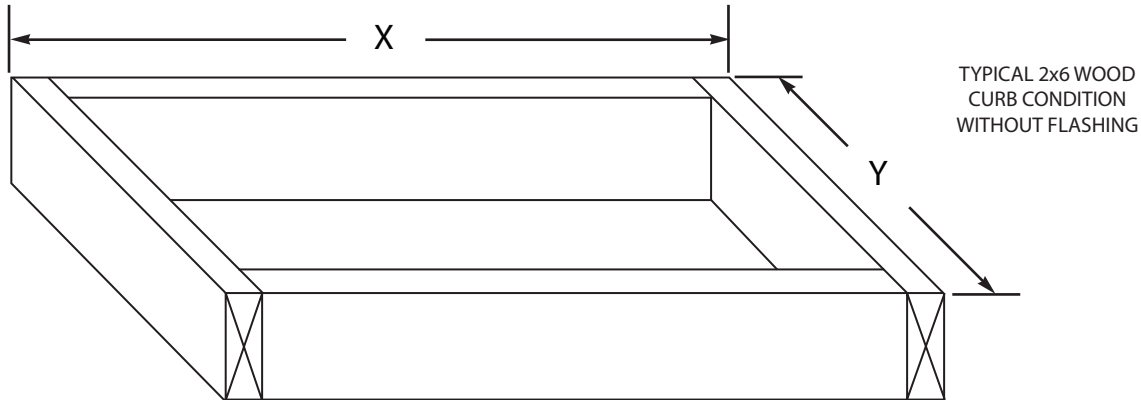
Fax Number: 888-526-4329

ORDER QUOTE (Check One)

DATE: _____

DEALER: _____

JOB NAME/PO#: _____



SPECIAL SKYLIGHT DIMENSIONS

(Fill in blanks)

"X" OUTSIDE CURB DIMENSION: _____ " (To the nearest 1/8")

"Y" OUTSIDE CURB DIMENSION: _____ " (To the nearest 1/8")

SPECIAL SKYLIGHT OPTIONS

(Check one selection for each option)

SKYLIGHT MODEL: Fixed (LC) Open Air (LO) Hinge Long Side Hinge Short Side

FRAME FINISH: Mill Finish Bronze Painted Other Finishes Available (Call for Quote)

DOMES OPTIONS:

Single Dome: Clear White Bronze
Double Domes: Clear/Clear White/Clear Bronze/Clear

GLASS OPTIONS:

Single (Laminated): Single Clear Laminated Other
Insulated (Tempered/Laminated): Clear/Clear Bronze/Clear Low-E2/Clear Solar Cool Bronze/Clear

NEXT LARGEST STANDARD SIZE SKYLIGHT (LIST PRICE):	\$ _____
DEDUCT DISCOUNT:	- \$ _____
SPECIAL SIZE SKYLIGHT SET-UP CHARGE (\$30.00 NET ADD):	+ \$ _____
TOTAL PRICE:	\$ _____

**We recommend a minimum 3/12 roof pitch for proper weeping.
Flat roof installation NOT recommended and will void the warranty.**



TRU-FRAME® A name you can build on.

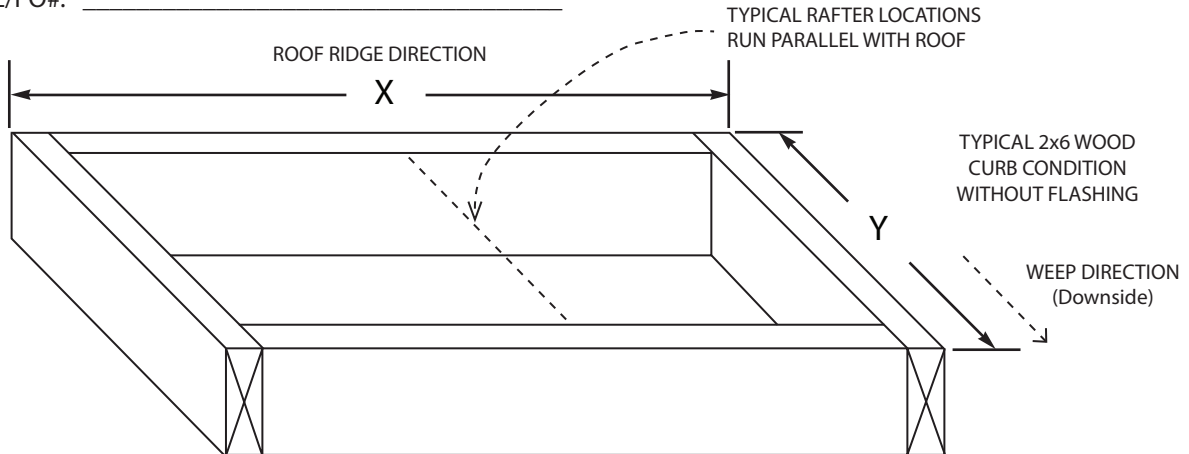
ORDER QUOTE (Check One)

LT & LTR Series Skylight Fax Number: 888-526-4329

DATE: _____

DEALER: _____

JOB NAME/PO#: _____



SPECIAL CUSTOM SKYLIGHT DIMENSIONS (Fill in blanks)

"X" OUTSIDE CURB DIMENSION: _____ (To the nearest 1/8")

"Y" OUTSIDE CURB DIMENSION: _____ (To the nearest 1/8")

#-RAFTERS: _____

SPECIAL SKYLIGHT OPTIONS (Check one selection for each option)

SKYLIGHT MODEL: Fixed, Electric, Open Air, Hinge Long Side, Hinge Short Side

FRAME FINISH: Mill Finish, Bronze Painted, Other Finishes Available (Call for Quote)

DOMES OPTIONS: Single Dome (Clear, White, Bronze), Double Domes (Clear/Clear, White/Clear, Bronze/Clear, Other)

GLASS OPTIONS: Single (Laminated) (Clear, Other), Insulated (Tempered/Laminated) (Clear/Clear, Bronze/Clear, Low-E2/Clear, Other)

Note: Glass skylights that exceed 16 square feet surface require rafters.

SPECIAL INSTRUCTIONS: _____

